



**KM-GEHÄUSETECH®**  
electronics • mechanics



Elektronische und mechanische Systeme -  
Intelligent durchdachte Gehäuselösungen

## Digital mobile TV cart DGW-KM



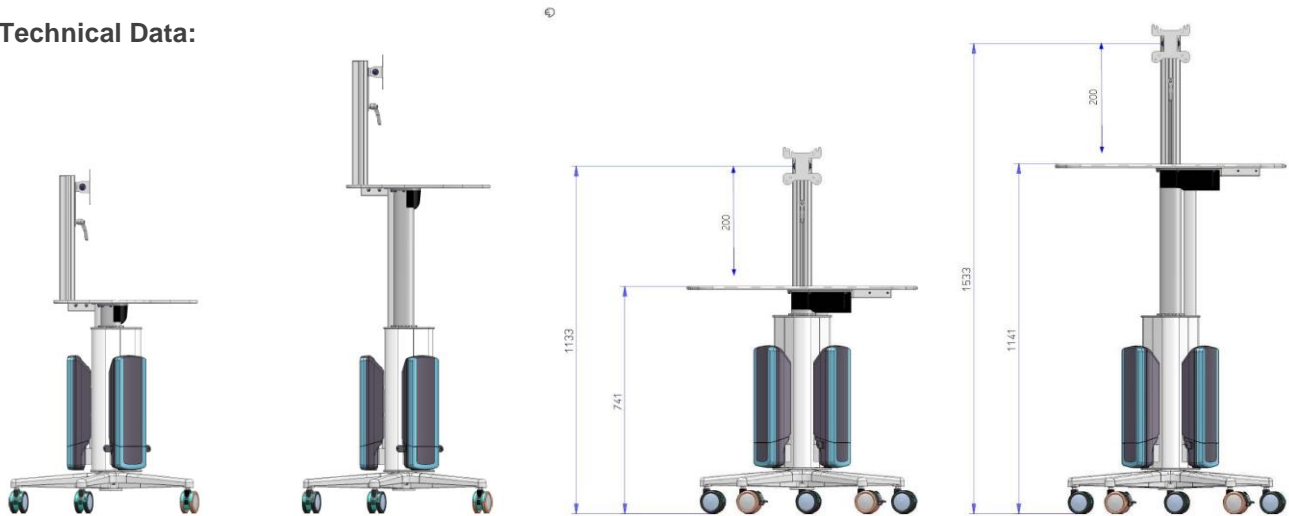
*Illustration contains optional accessories*



## Digital mobile TV cart DGW-KM

The digital mobile TV cart is characterized to diverse possible applications: Whether in the production halls as a wearer for a service PC, as a mobile workplace in the industry or in the medical field for mobile use. A well-to-clean and disinfected surface and optimized hygiene properties also meet the high requirements in the healthcare sector. The electrically height-adjustable work surface in conjunction with the infinitely height-adjustable and tiltable VESA holder also makes it possible to work ergonomically in any situation. Furthermore, the DGW-KM has two power connections, which can be independently set to the required operating voltage. Rubberized wheels with brake function, a customized colour concept on request and the hot-plug, which can be replaced during operation, make the DGW-KM the ideal everyday helper. A wide range of accessories and mounting options on the table top complete the mobile assistant.

### Technical Data:



*Illustration shows the base cart. Batteries are not included and must be ordered separately.*

**Article number:** on request

**Dimensions:** height top edge of tabel top: 746 mm – 1146 mm (29.3 – 45.11 inch)  
height VESA bracket in middel position: 1133 mm – 1533 mm (44.6 – 60.4 inch)  
Adjustment range VESA bracket: 200 mm (7.87 inch)  
Infinitely height adjustable and tiltable

**Weight:** about 30kg (66.14 lb) (fully extended version)

**Battery capacity:** up to 1200 Wh/46,5 Ah (400Wh/15,5 Ah per accumulator)

**Battery life:** up to 18h (with a steady load from 60 Watt)

**Output voltage1:** adjustable on 5 V/12 V/19 V/24 V (4A max.)

**Output voltage2:** adjustable on 5 V/12 V/19 V/24 V (4A max.) (optional special voltage)

**Storage temperature:** -15°C up to +60°C max. 90% Rh not condensing

**Operating temperature:** 0°C up to +40°C max. 90% Rh not condensing



### Optional accessories:



#### **Additional battery (upgradable)**

Art.No.: DGWKM-ZUB-AK001

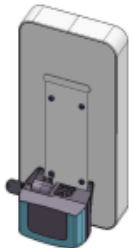
Battery capacity: 400 Wh / 15,5 Ah  
Nominal voltage: 25,9 V  
Storage temperature: -15°C up to +60°C max. 90% Rh not condensing  
Operating temperature: 0°C up to +40°C max. 90% Rh not condensing  
Degree of protection: IP54 (with appropriate battery blind cover)  
Hot Plug: battery is in ongoing operation exchangeable



#### **Desktop charging station**

Art.No.: DGWKM-ZUB-TL001

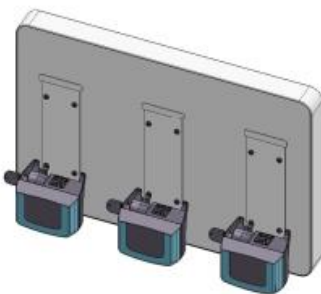
Allows an easy and variable loading of an accumulator.



#### **Single wall charging station**

Art.No.: DGWKM-ZUB-WL001

Allows an easy and optimum loading process of the accumulator for a maximum lifetime and efficiency. Unobtrusively narrow and nevertheless extremely stable design with theft protection by lock function. Quick and easy assemblage.



#### **Triple wall charging station**

Art.No.: DGWKM-ZUB-WL003

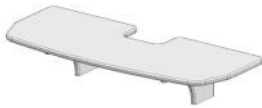
Allows the loading of up to three accumulators at the same time. Advantageously and extremely practicably if several digital mobile TV's are in use at the same time



**Battery blind cover (magnetically)**

Art.No.: DGWKM-ZUB-AD001

Protects open-recumbent connections with accumulator and charging-connector against rough dirt.



**Shelf (on the table top)**

Art.No.: DGWKM-ZUB-AO001

This shelf which is manufactured out of the same material as the table top is mounted on the table top and offers therefore more work place.



**Document compartment / storage compartment**

Art.No.: DGWKM-ZUB-AU001

Stable storage compartment under the table top. Serves for quick and safe filing of various documents/implements. Powder-coated RAL 9006 (White aluminum).



Farther various outhouses can be realised by prepared mounting options under the table top.

*Similar pictures, we reserve the right to make changes without prior notice at any time in the interest of technical progress.*