

10 9 8 7 6 5 4 3 2 1

G

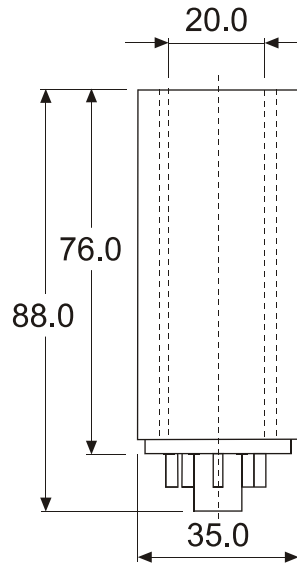
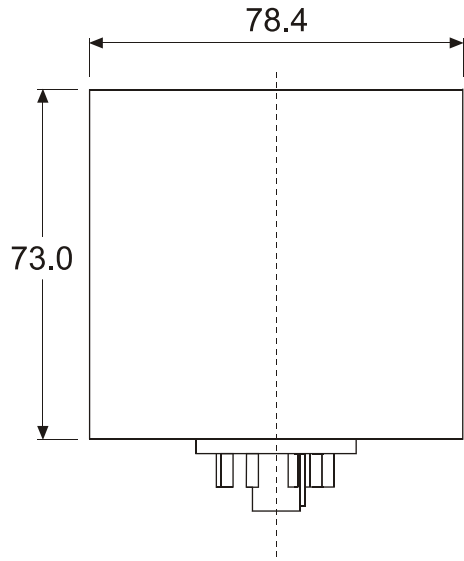
G

BASE PART

TOP PART

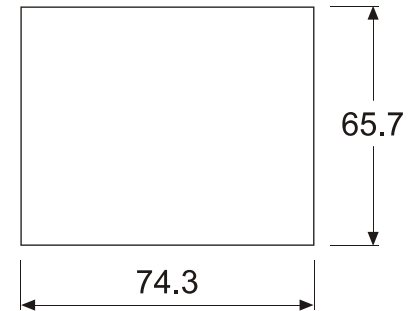
F

F



Base part is available with wires on request.

PCB DIMENSIONS:



D

D

C

C

B

B

DIN-RAIL MOUNTED ENCLOSURE

SERIES 500

Type 500

A

A

All measurements are in mm

10 9 8 7 6 5 4 3 2 1