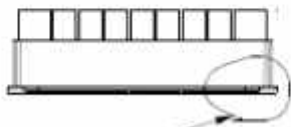
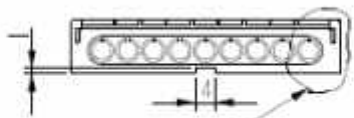


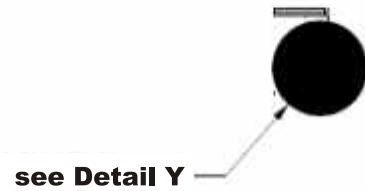
**Section A-A**



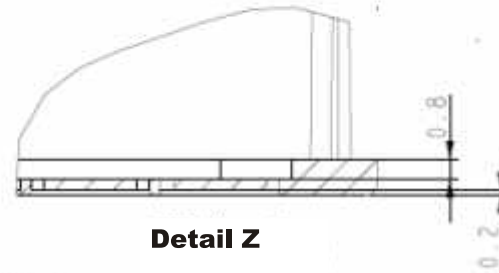
see Detail Z



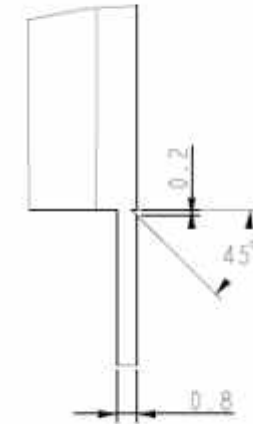
see Detail X



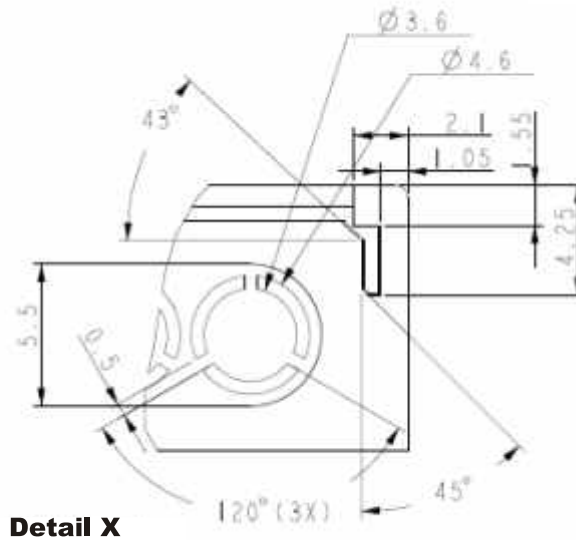
see Detail Y



**Detail Z**



**Detail Y**



**Detail X**



**3-MODULE-ENCLOSURE  
FOR M36 DIN-RAIL      SERIE 52**

**Type            52  
Cover for enclosure  
low, knock-out**

**Part No.: GH02HS02/052/130**

**All dimensions in mm**