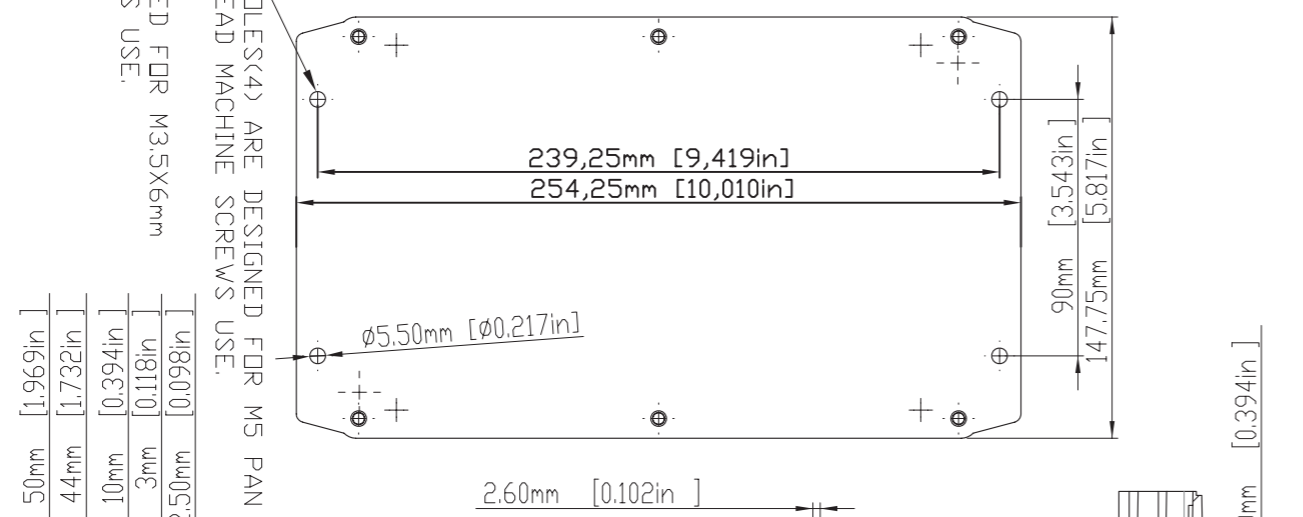
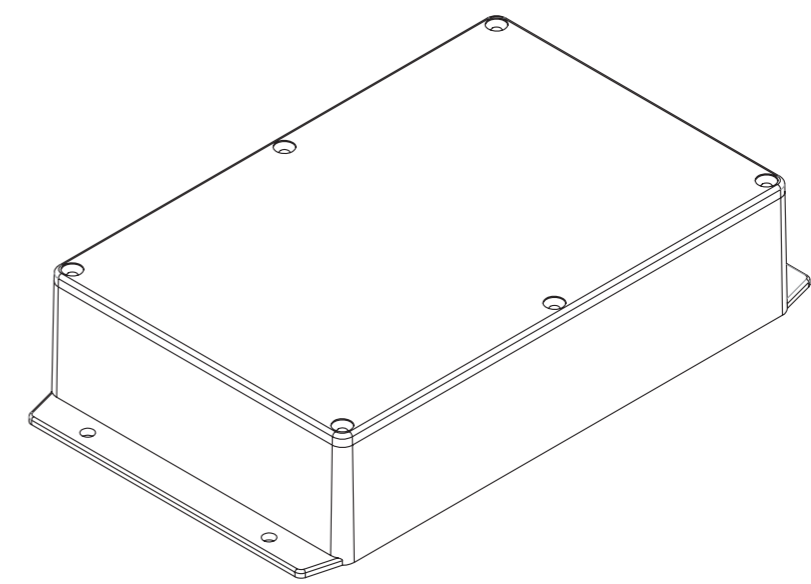
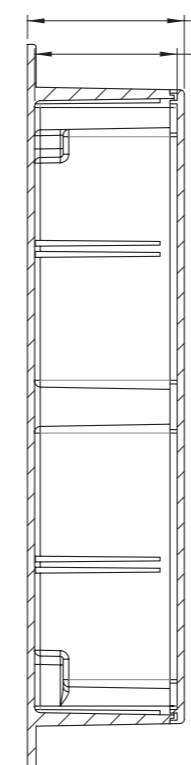


SECTION B-B



SECTION C-C



TOLERANCES: +/- 0.30 mm (+/- 0.012in)

**RICHARD WÖHR**  
 GMBH  
 Gräfenau 58-60  
 D-75339 Höfen / Enz  
 Telefon (07081) 9540-0  
 Telefax (07081) 9540-90  
 Richard@WoehrGmbh.de  
 www.WoehrGmbh.de

**Expression:**  
**Industrial enclosure**

**Order code:**  
**GH02AL001/580**

Dim.	in	inch